



WP-5231M-CE7

Standard PAC with Cortex-A8 CPU, WinCE 7.0, 1 I/O Bus, Matel Case

Features

- Cortex-A8, 1 GHz CPU
- Windows CE 7.0
- 512 MB SDRAM and 256 MB Flash
- 64 KB FRAM memory for data retention
- Hard Real-Time Capability (RTC)
- I/O Expansion Bus
- 10/100/1000M Ethernet Ports
- 4 Serial Ports (RS-232/485)
- Operating Temperature: -25 to +75 ° C



Introduction

The WP-5231M-CE7 is equipped with a Cortex-A8 CPU (1 GHz) running a Linux operating system (Linux Kernel 3.2.14), a variant of input/output ports (VGA, USB, Ethernet, RS-232/485), and powerful software including development tools. Linux Kernel 3.2.14 is a compact and real-time OS used to quickly create time critical and high performance applications.

Main advantage of the WP-5231M-CE7 is its high quality control system, including its stability, small core size, optional I/O expansion board, support for Web services (Web/SFTP/SSH server). Using the built-in Flash and microSD, the LinPAC can save application program, image file and data.

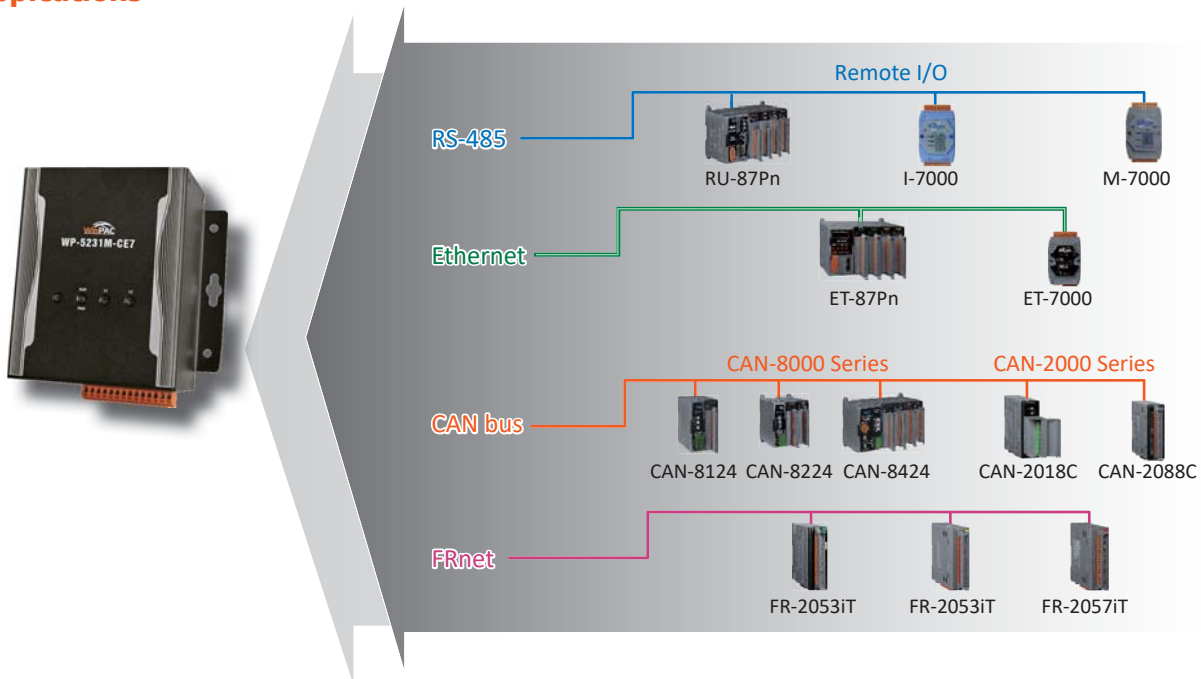
Windows CE 7.0



Windows CE 7.0 is a compact and real-time OS used to quickly create time critical and high performance applications. Using Windows CE 7.0 gives an ability to run PC-based control software such as Visual Basic .NET, Virtual C#.

- FTP Server
- Web Server
- SQL Compact Edition 3.5
- .NET Compact Framework 3.5
- Virtual CE Pro (VCEP)

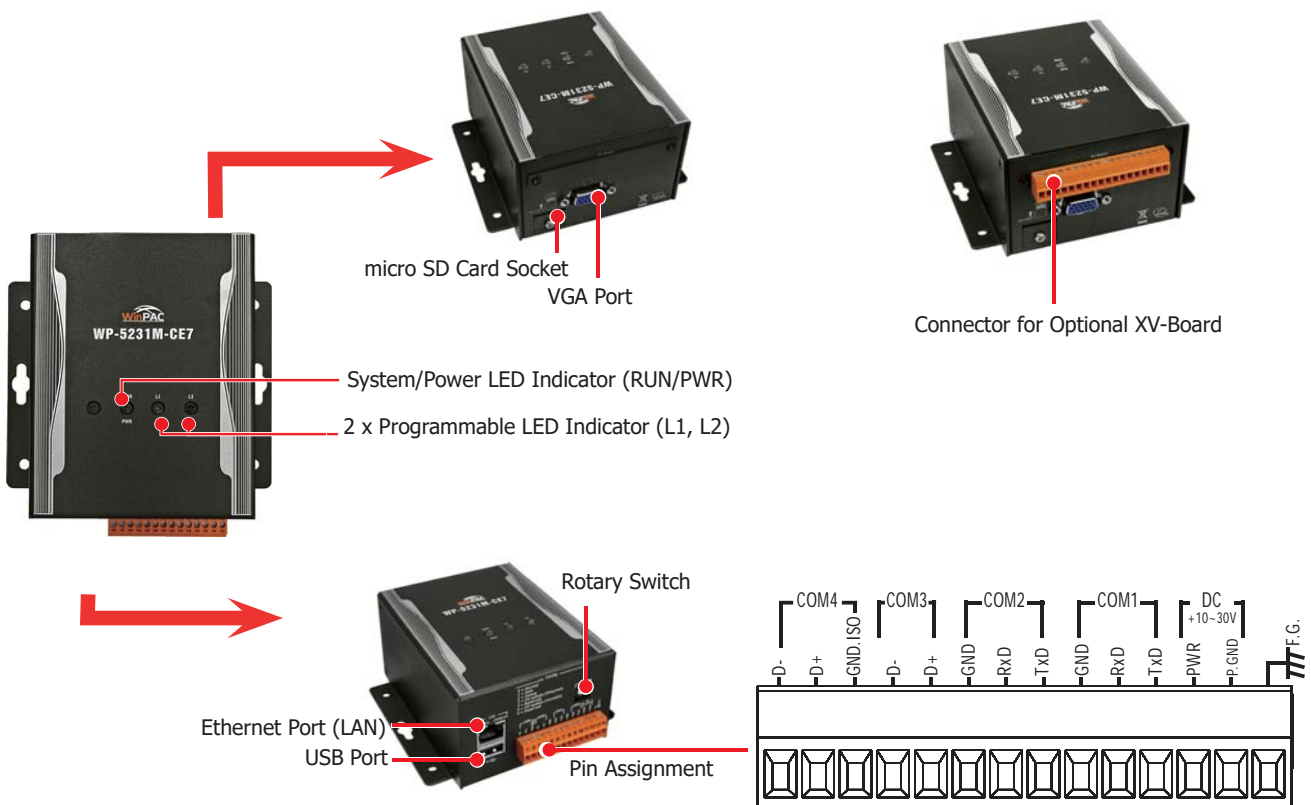
Applications



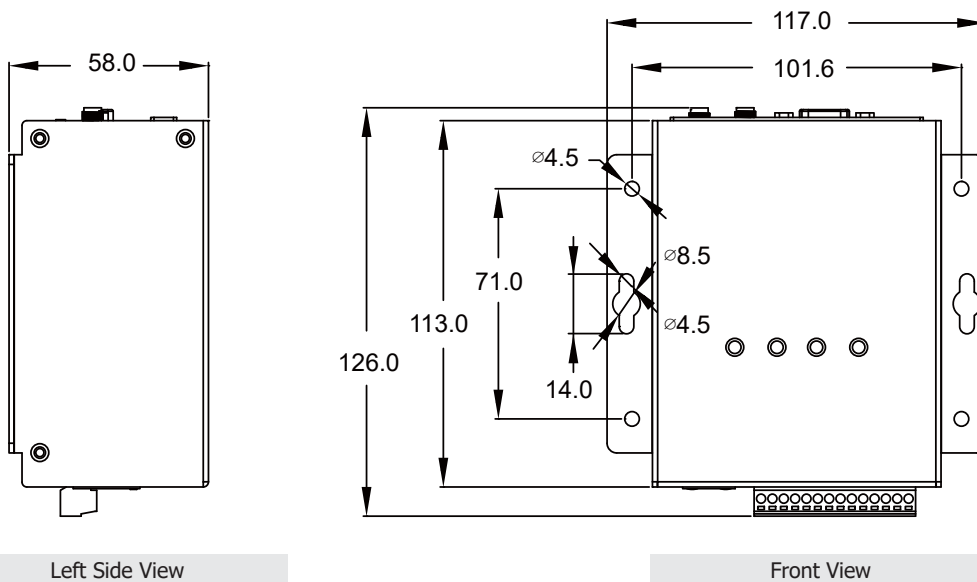
Specifications

Model	WP-5231M-CE7
System Software	
OS	Windows CE 7.0 Professional
Framework Support	.Net Compact Framework 3.5
Service	FTP Server, Web Server (Supports VB script, JAVA script), Embedded SQL Server
SDK	Dll for VC, Dll for Visual Studio.Net 2008
Multilanguage Support	English, German, French, Spanish, Russian, Italian, Korean, Simplified Chinese, Traditional Chinese
CPU Module	
CPU	Cortex-A8, 1.0 GHz
SDRAM	512 MB DDR3
Flash	256 MB
FRAM	64 KB
Storage	4 GB microSD card (up to 32 GB)
RTC (Real Time Clock)	Provide seconds, minutes, hours, dates, day of week, month, year
64-bit Hardware Serial Number	Yes, for software copy protection
Watchdog Timer	Dual Watchdog Timer
Rotary Switch	1 x 10 Position (0 ~ 9)
Buzzer	Yes
Display	
VGA Resolution	640 × 480, 800 × 480, 800 × 600, 1024 × 768
LED Indicators	1 x System/Power, 2 x Programmable
Communication Ports	
Ethernet	1 x RJ-45, 10/100/1000 Base-TX (Auto-negotiating, Auto MDI/MDI-X, LED indicators)
USB 2.0 (host)	1
COM 1	RS-232 (RxD, TxD, and GND); Non-isolated
COM 2	RS-232 (RxD, TxD, and GND); Non-isolated
COM 3	RS-485 (Data+, Data-); Non-isolated
COM 4	RS-485 (Data+, Data-); 2500 VDC isolated
I/O Expansion	
I/O Expansion Bus	One optional XV-board
Mechanical	
Casing	Metal
Dimensions (W x L x H)	117 mm x 126 mm x 58 mm
Ingress Protection Rating	IP30 (Aluminum)
Installation	DIN-Rail, Wall mounting
Environmental	
Operating Temperature	-25 ~ +75 °C
Storage Temperature	-40 ~ +80 °C
Humidity	10 ~ 90 % RH, Non-condensing
Power	
Input Range	+12 ~ 48 VDC
Consumption	4.8 W (0.2 A @ 24 VDC)

Appearances



Dimensions (Units: mm)



Ordering Information

WP-5231M-CE7 CR	Standard PAC with Cortex-A8 CPU, WinCE 7.0 OS, 1 I/O Bus, Metal Case (RoHS)
------------------------	---

Accessories

XV-Board	Add-on I/O Expansion Board
-----------------	----------------------------